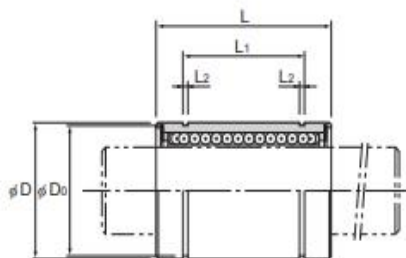
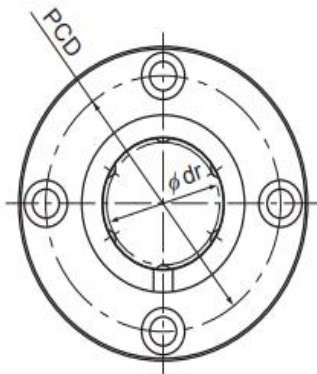


Model No.			Ball rows	Inscribed bore diameter	Outer diameter	Length
Standard type	Clearance-adjustable type	Open type		dr	D	L
LME 5	LME 5-AJ	—	4	5	12	22
LME 8	LME 8-AJ	—	4	8	16	25
LME 12	LME 12-AJ	—	4	12	22	32
LME 16	LME 16-AJ	LME 16-OP	5	16	26	36
LME 20	LME 20-AJ	LME 20-OP	5	20	32	45
LME 25	LME 25-AJ	LME 25-OP	6	25	40	58
LME 30	LME 30-AJ	LME 30-OP	6	30	47	68
LME 40	LME 40-AJ	LME 40-OP	6	40	62	80
LME 50	LME 50-AJ	LME 50-OP	6	50	75	100
LME 60	LME 60-AJ	LME 60-OP	6	60	90	125
LME 80GA	LME 80GA-AJ	LME 80GA-OP	6	80	120	165

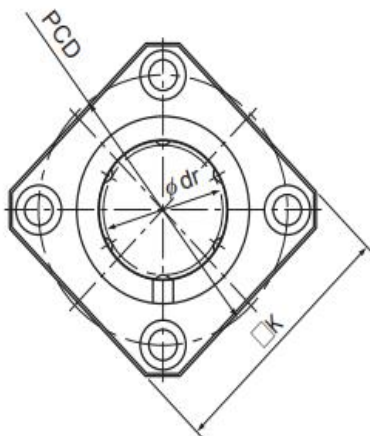


Model No.			Ball rows	Inscribed bore diameter	Outer diameter	Length
Standard type	Clearance-adjustable type	Open type		dr	D	L
LME 5	LME 5-AJ	—	4	5	12	22
LME 8	LME 8-AJ	—	4	8	16	25
LME 12	LME 12-AJ	LME 12-OP	4	12	22	32
LME 16	LME 16-AJ	LME 16-OP	5	16	26	36
LME 20	LME 20-AJ	LME 20-OP	5	20	32	45
LME 25	LME 25-AJ	LME 25-OP	6	25	40	58
LME 30	LME 30-AJ	LME 30-OP	6	30	47	68
LME 40	LME 40-AJ	LME 40-OP	6	40	62	80

LME 50	LME 50-AJ	LME 50-OP	6	50	75	100
LME 60	LME 60-AJ	LME 60-OP	6	60	90	125
LME 80GA	LME 80GA-AJ	LME 80GA-OP	6	80	120	165



Model No.	Ball rows	Inscribed bore diameter	Outer diameter	Length	Flange diameter
Standard type		dr	D	L	Di
LMF6	4	6	12	19	28
LMF8S	4	8	15	17	32
LMF8	4	8	15	24	32
LMF 10	4	10	19	29	39
LMF12	4	12	21	30	42
LMF 13	4	13	23	32	43
LMF 16	5	16	28	37	48
LMF 20	5	20	32	42	54
LMF 25	6	25	40	59	62
LMF 30	6	30	45	64	74
LMF 35	6	35	52	70	82
LMF 40	6	40	60	80	96
LMF 50	6	50	80	100	116
LMF 60	6	60	90	110	134



Model No.	Ball rows	Inscribed bore diameter	Outer diameter	Length	Flange diameter
Standard type		dr	D	L	Di
LMK 6	4	6	12	19	28
LMK 8S	4	8	15	17	32
LMK 8	4	8	15	24	32

LMK 10	4	10	19	29	39
LMK 12	4	12	21	30	42
LMK 13	4	13	23	32	43
LMK 16	5	16	28	37	48
LMK 20	5	20	32	42	54
LMK 25	6	25	40	59	62
LMK 30	6	30	45	64	74
LMK 35	6	35	52	70	82
LMK 40	6	40	60	80	96
LMK 50	6	50	80	100	116
LMK 60	6	60	90	110	134